

Standards for Roof Replacement on Heritage Barns

HOW TO USE THIS GUIDE

😊 YES! Do this.

😐 Meh.

😞 If you must.

💀 No way!

✓ ALLOWED

- 😊 1. Wood Shakes and Shingles
- 😊 2. Corrugated Metal Roof Panels (without Ribs)
- 😊 3. Standing Seam Metal (without Ribs)
- 😐 4. Standing Seam Metal (with intermediate Dutch Seams)
- 😐 5. Three Tab Shingles (with little color variation)
- 😐 6. Standing Seam and Corrugated Metal (with Ribs)

✗ NOT ALLOWED

- 💀 7. Three Tab Shingles (Significant color variation)
- 💀 8. Simulated Wood Shakes
- 💀 9. Architectural Shingles

✓ ALLOWED

😊 1. Wood Shakes and Shingles



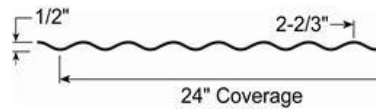
Allowed Treatment: Wood Shakes and Shingles

- ✓ **Repair** existing wood shingles in situ
- ✓ Replace existing wood shingles **in-kind** (match original size, material, color, texture)
- ✓ Replace existing wood shingles with treated, fire-resistant wood shingles
- ✓ **Restore** roof to original or historic appearance using wood shingles
- ✓ Material was **historically available**

Standards for Roof Replacement on Heritage Barns

✓ ALLOWED

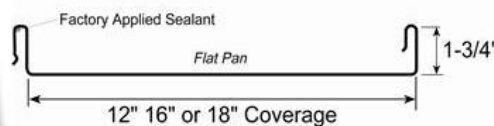
😊 2. Corrugated Metal Roof Panels (without Ribs)



Allowed Treatment: Corrugated Metal Roof (without Ribs)

- ✓ Replace historic roofing material only if beyond repair
- ✓ **Color** should be earth-tones with no variation –should be matte finish
- ✓ Corrugated metal panels should be simple and rounded as shown above
- ✓ Material was probably not original, but still **historically available**

😊 3. Standing Seam Metal (without Ribs)



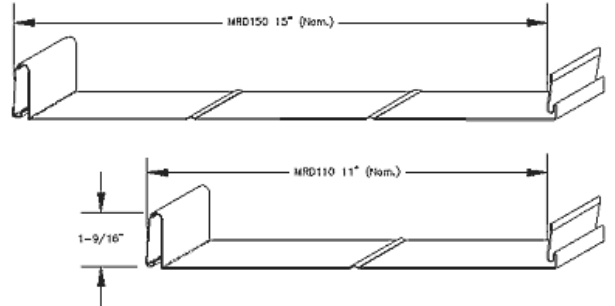
Allowed Treatment: Standing Seam Metal (without Ribs)

- ✓ Replace historic roofing material only if beyond repair
- ✓ Standing seam metal panels should be properly installed to **prevent oil canning**
- ✓ **Color** should be earth-tones with no variation – should be matte finish
- ✓ Standing seam metal **without ribs** is preferred over panels with dutch seams (item 4)
- ✓ Material was not original, but still **historically available**

Standards for Roof Replacement on Heritage Barns

✓ ALLOWED

☹️ 4. Standing Seam Metal (with intermediate Dutch Seams)



Allowed Treatment: Standing Seam Metal (with intermediate Dutch Seams)

- ✓ Replace historic roofing material only if beyond repair
- ✓ Standing seam metal panels should be properly installed to **prevent oil canning**
- ✓ **Color** should be earth-tones with no variation – should be matte finish
- ✓ Material was not original, but still **historically available**

☹️ 5. Three Tab Shingles (with little color variation)



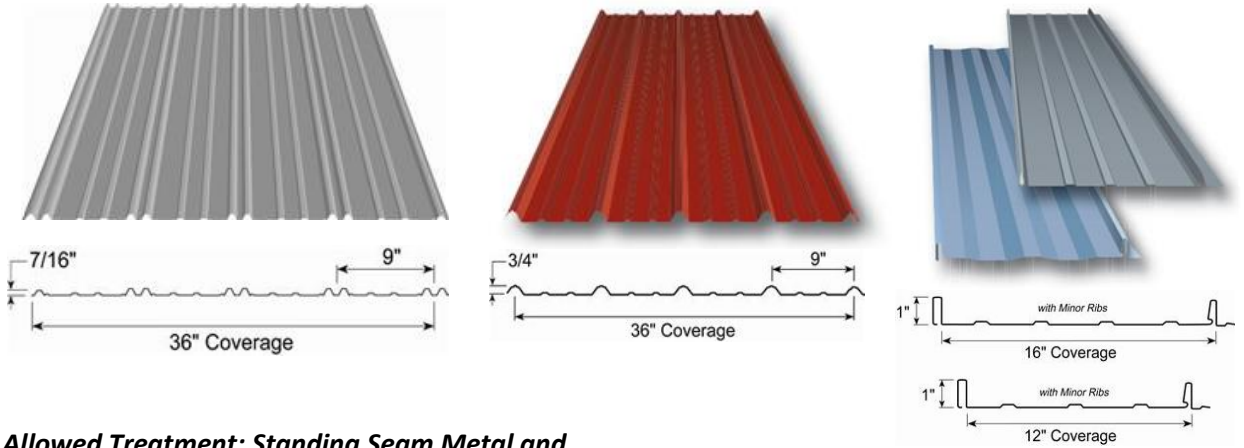
Allowed Treatment: Three Tab Shingles (Little color variation)

- ✓ Replace historic roofing material only if beyond repair
- ✓ Three tab shingles should have **little variation in color**
- ✓ **Color** should be relatively uniform and earth-tones with minor variation
- ✓ **See below** for examples of three tab shingles that would not be recommended
- ✓ Material was not original, but still **historically available**

Standards for Roof Replacement on Heritage Barns

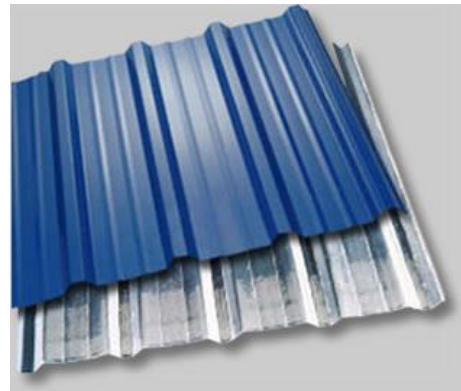
✓ ALLOWED

6. Standing Seam and Corrugated Metal (with Ribs)



Allowed Treatment: Standing Seam Metal and Corrugated Metal (with Ribs)

- ✓ **Color** should be earth-tone and **brightness** should be limited – should have matte finish
- ✓ Standing seams should be simple and rectangular (see item 3)
- ✓ All roofing installations shall be **reversible**
- ✓ Standing seam and corrugated panels with ribs were **not historically available**



GENERAL ROOF REPLACEMENT GUIDELINES

- ✓ Only wood gutter or “half-round style” metal gutters are allowed. Preferred treatment is the installation of French drain.
- ✓ In all cases, prior roof materials should be removed down to skip sheathing before the installation of new roof material.
- ✓ Skip sheathing should be repaired or replaced as needed.

Standards for Roof Replacement on Heritage Barns

✘ NOT ALLOWED

✘ 7. Three Tab Shingles (Non-uniform color)



Not Allowed Treatment: Three Tab Shingles (Significant color variation)

- ✘ (Left): Significant color variation is not recommended
- ✘ (Middle): Color is too bright, not earth-tone, and variation is significant
- ✘ (Right): Color is earth-tone, but variation is significant
- ✘ Material with significant color variation was **not historically available**

✘ 8. Simulated Wood Shakes



Not Allowed Treatment: Simulated Wood Shakes

- ✘ Materials that simulate an authentic material shall not be used (metal, composite, cementitious, etc.)
- ✘ **Simulated wood shakes** do not replicate the character of real wood shakes
- ✘ Gaps between panels (right) do not properly replicate original material dimensions
- ✘ Materials with machine-applied simulated wood grain texture shall not be used
- ✘ **Brightness** / sheen shall be avoided
- ✘ Material was **not historically available**

Standards for Roof Replacement on Heritage Barns

✗ NOT ALLOWED

✗ 9. Architectural Shingles



Not Allowed Treatment: Architectural Shingles

- ✗ **Color** should not have significant variation
- ✗ **Simulated depth** leaves shingles looking two-dimensional and is not recommended
- ✗ Architectural shingles were not historically available and thus their use should be avoided
- ✗ Some architectural shingles have actual depth, but are still not recommended due to their **lack of historical precedent**
- ✗ **Shape** of shingles should be relatively rectangular with 90 degree corners, not rounded or trapezoidal, and should not look like a puzzle

